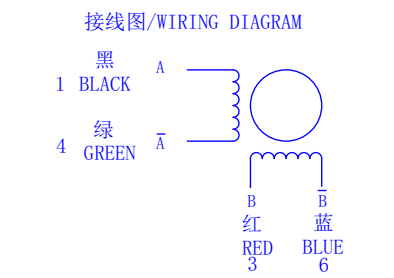
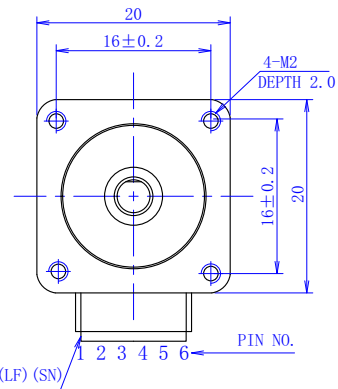
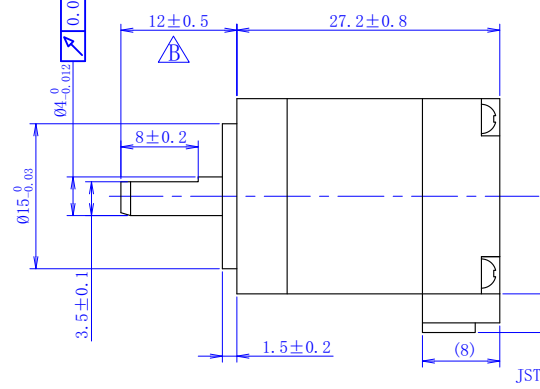
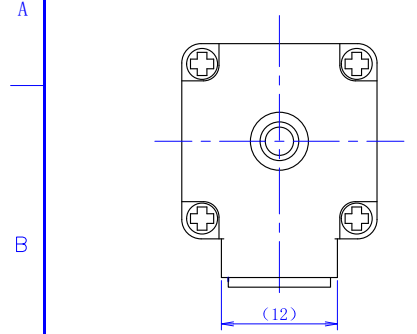


1	2	3	4	5	6	7
符合RoHS指令要求 CONFORM TO RoHS INSTRUCTIONS						
端子线序 PIN NO.	1	2	3	4	5	6
电机引线颜色 LEAD COLOR	黑 BLACK	--	红 RED	绿 GREEN	--	蓝 BLUE

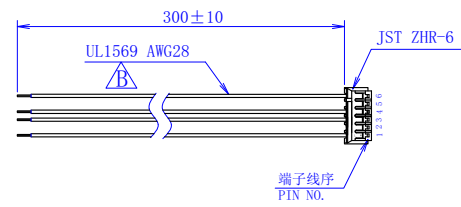


电气特性参数/ELECTRICAL PARAMETER

步进角/STEP ANGLE	1.8° ±5%
相数/NO. OF PHASES	2
额定电压/RATED VOLTAGE	2.8 V
额定电流/RATED CURRENT	0.4 A
电阻/RESISTANCE	7.0 ohm±10% AT 25° C
电感/INDUCTANCE	2.2 mH±20% AT 1kHz, 1Vrms
保持力矩/HOLDING TORQUE	15mN.m (2.1oz.in) 以上/MIN. 注/NOTE) 1
运行力矩 (AT --PPS) RUNNING TORQUE (AT --PPS)	--- 以上/MIN. (--V. DC, --A/相 (PHASE), --相励磁/EX)
绝缘耐压/DIELECTRIC STRENGTH	500V A.C 1分钟/MINUTE
绝缘电阻/INSULATION RESISTANCE	100 MΩ 以上/MIN.
绝缘等级/INSULATION CLASS	CLASS B
温度上升/TEMPERATURE RISE	80K MAX. 注/NOTE) 2
转子惯量/ROTOR INERTIA	2g.cm ² (0.01oz.in ²)
重量/WEIGHT	约/APPROX. 46克/g (1.61oz)
允许轴向负载/ALLOWABLE THRUST LOAD	2N
允许径向负载/ALLOWABLE RADIAL LOAD	20N (轴端/ON THE SHAFT END)
运行环境温度/OPERATION AMBIENT TEMP.	-20° C----+50° C
运行环境湿度/OPERATION AMBIENT HUM.	15%----90%
寿命/LIFE	5000小时/HOURS 注/NOTE) 3

备注/NOTE):

- 额定电流, 两相同时通电/AT RATED CURRENT, TWO PHASE ON.
- 热阻法: 电机安装在60*60*T5的铝板上, 电机线圈两端通额定电压, OPSS /MEASURED BY RESISTANCE METHOD. MOUNT WITH ALUMINUM HEAT SINK 60*60*T5 AT TWO WINDING BE EXCITED BY RATED VOLTAGE, OPSS, 2PHASE ON.
- 寿命测试条件: 整步, 运行速度为500PPS, 轴承的表面温度不超过70° C
LIFE TEST CONDITION: 2PHASE EXCITING, FULL STEP, AT 500PPS. STARTING PULSE, BEARING TEMPERATURE SHOULD BE 70° C MAX.

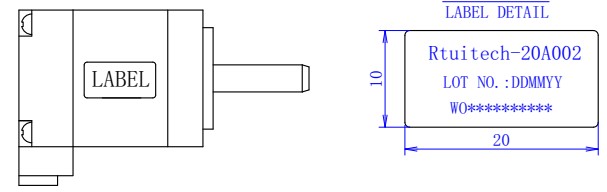


励磁顺序 (2相励磁) VS. 旋转方向
EXCITING SEQUENCE (TWO PHASES)
VS. DIRECTION OF ROTATION

STEP	A	B	Ā	B̄
1	+	+	-	-
2	-	+	+	-
3	-	-	+	+
4	+	-	-	+

CCW ↑
CW ↓

从安装面看为顺时针方向
CLOCKWISE VIEW FROM MOUNTING SIDE



黑色端盖/BLACK ENDBELL

CONFIRMED&ACCEPTED BY CUSTOMER (客户确认&接受)				型号/MODEL	
COMPANY CHOP&SIGNATURE (盖章&签名)				20A002	
B	2016-07-29	---	轴出引线电阻电流变更	June	
A	2016-04-22	---	初版	TONY	
一般公差 TOLERANCE	±0.3/±3°	版本 REV.	年月日 DATE	变更番号 ECO NO.	变更内容 REVISIONS
制图/DRAWN	Ruitech/2016-07-29	比例 SCALE	2:1	品名 TITLE	步进电机规格书 STEPPING MOTOR SPECIFICATION
设计/DESIGNED		单位 UNIT	mm		
审核/CHECKED					
承认/APPROVED					
					页 SHEET
					1/1

